



PN3500A



CAPACITY:	3500 kg
POWER SUPPLY:	400V/50Hz
MOTOR POWER:	2,6kW
LIFTING HEIGHT:	116-1900 mm
PLATFORMS:	595 x 1495-2025 mm
NOISE LEVEL:	<70 dB (A)
WEIGHT:	830 kg
SIZE OF THE PACKAGE:	82x167x90 cm

Electrohydraulic lift with 4 cylinders, without ratchet, smooth lowering without effect lifting ♦ scissor compact design ♦ a lift designed for mounting on floor (only 116 mm high when folded) ♦ safe lift control 24V from an external control box ♦ hydraulic devices to protect against sudden oil leakage or overload ♦ cextreme sensor and secure arrangement of platforms ♦ acoustic signal of the final descent phase.



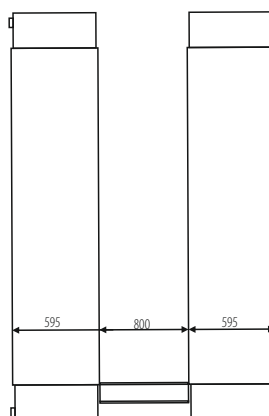
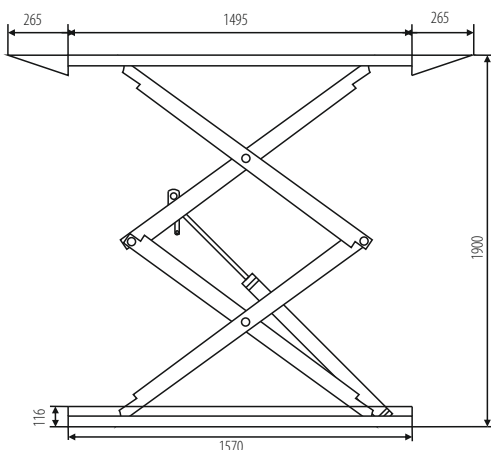
**SYNCHRONIZATION
PHOTOCELL**



START-UP SUPPORT

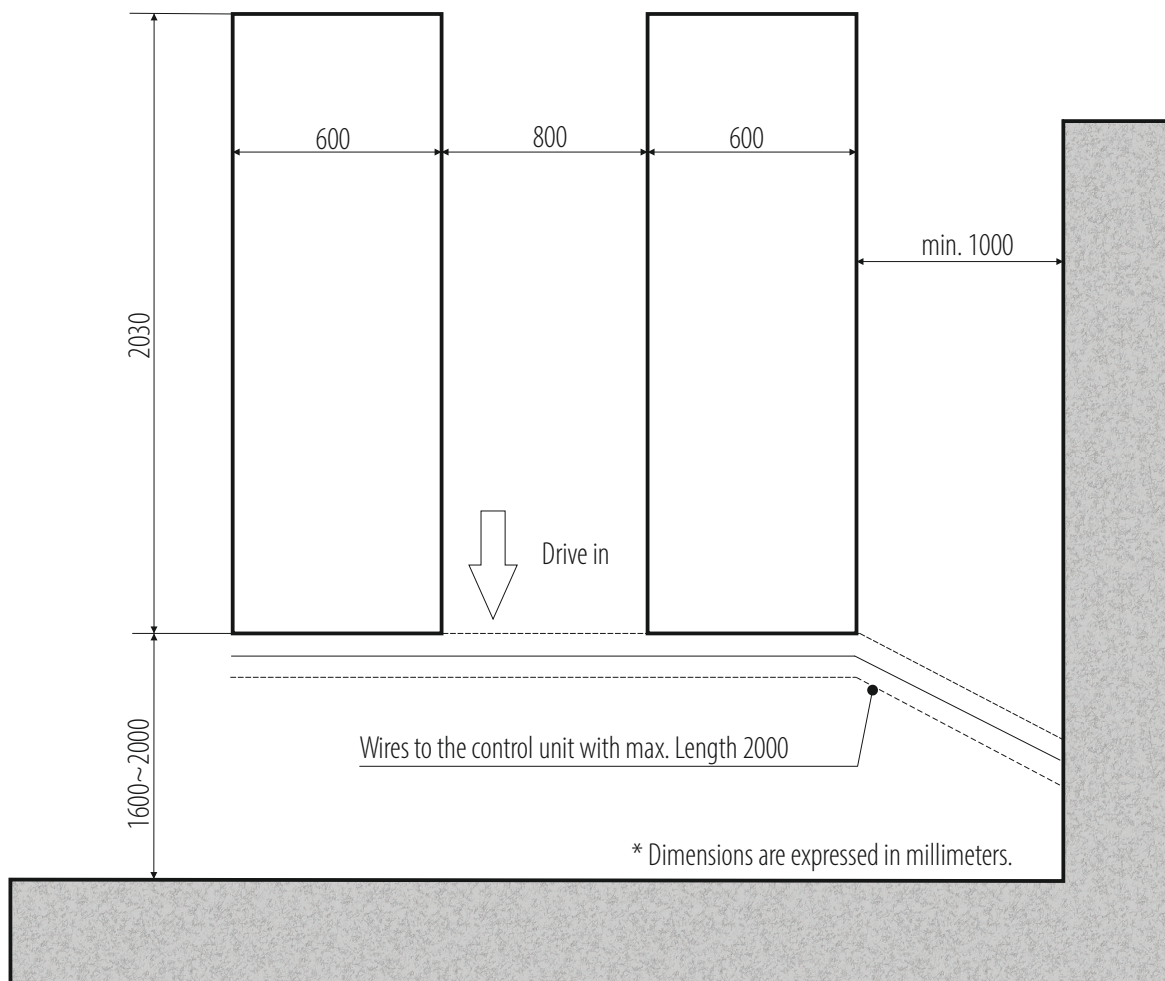


**POWERFUL DOUBLE CYLINDERS
ABOUT A CAPACITY OF 3500 kg**



**INDEPENDENT BOX
CONTROL**

PN3500A



INSTALLATION REQUIREMENTS:



Concrete class: B25 or C20 / 25 with a minimum mounting area: 2210x2200x200mm ♦ Acceptable floor imbalance: +/- 5mm, floor execution: 3 weeks before assembly ♦ Mounting anchors: mechanical M12 / 150 mm 8 pieces or chemical M16 / 250mm ♦ Hydraulic oil: HL22, 16.0l ♦ Power supply: 5x2.5mm cable to the place of assembly ♦ Current protection: min. 32A with 3-phase 400V / 50Hz power supply.

Installation allowed only in closed areas ♦ prohibition of using reinforcement 20 cm from the top thicker than 4mm² ♦ assembly for chemical anchors for an additional fee (submit in advance, preferably when setting the date of assembly) ♦ All connections, with particular reference to electrical connections, they must be made by authorized persons ♦ The installation must remain carried out by qualified personnel according to the rules attached in this building plan ♦ In the case of assembly by Nortec or its authorized service center, the lift must be on solid ground.